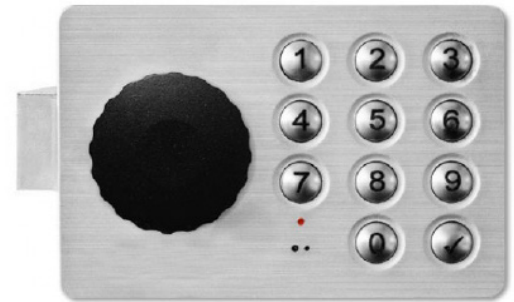


ID LOCK 4000



Description

Where no identification medium (membership card or similar) is available, the electronic lock **ID LOCK 4000** offers a high-quality and secure solution. Access to a locker is granted by means of a numerical code. After three incorrect entries, the lock is locked for one minute. By entering the master code, the lock can be unlocked immediately. The lock is opened with a manual knob.

The electronic combination lock ID LOCK 4000 is a robust and high-quality electronic lock for cabinets and compartments. The ID LOCK 4000 is characterized by robust stainless steel keys and an assembly-friendly design.

Equipped with 2 lithium batteries, the combination lock can withstand up to 60,000 opening and closing cycles.

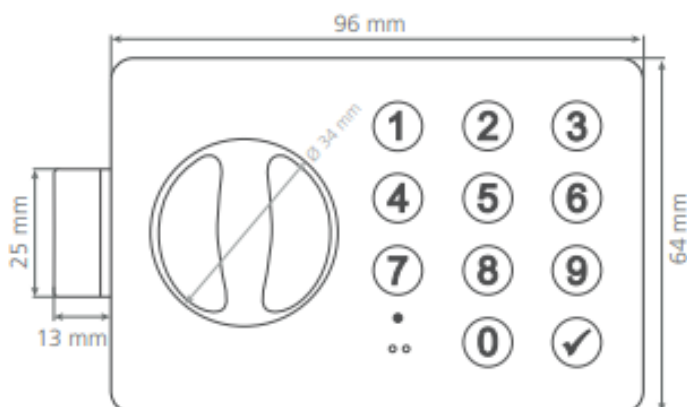
Programming options include Multi User and Private Code. The mounting frame and screws are included.

▶ APPLICATIONS

- Gyms
- Swimming pools
- Office buildings
- Schools

▶ FEATURES

- Does not require a transponder
- Open via number input
- Stainless steel buttons
- Various programming options



TECHNICAL DATA

Specification	
Dimensions	96 x 64 x 23 mm
Battery type	VARTA 2x CR123A
Closing cycles	approx. 60000
Operating temperature	0°C - 40°C (no condensation)
Material	Zamak, stainless steel
Lock fastening	Mounting frame
Number of possible codes	999.999
Code length	4 or 6 digits
Programming	Private mode, Multi-user mode
Closing direction	Right, left
Bolt	Latch bolt made of zinc (nickel-plated)
Scope of delivery	Electronical lock Programming instructions Assembly instructions Screws Mounting frame 2x 3V lithium battery

ORDER CODE

Description	Order code
ID LOCK 4000	R-EA-EEL-4000

