



# TURNSTILE TTR-04

## APPLICATION

- Public transport
- Wellness Resort
- Swimming pools
- Fitness centre
- Theme park

## FEATURES

- Remote Panel
- 3 years warranty
- LED-Panel
- Mechanical Release Key
- Optional:
- Anti-Panic function

## RFID OPTION

- HF (ISO 14443A)

## ► DESCRIPTION

The Turnstile can be operated from the remote control panel included in a standard delivery set or a wireless control. It can easily be integrated into most access control systems.

As the turnstiles can be preset to operate in either pulse or potential control mode, it ensures compatibility with virtually any access control systems.

An operating mode for locking or opening the turnstile can be independently set for each passage direction. The turnstile comes with built-in optical arm rotation sensors to ensure accurate registration of each passage through the turnstile as well as the passage direction.

The TTR-04.1 turnstile is designed with the control logic board installed inside the turnstile housing. After each passage the barrier arms are automatically returned to home position by a self-centering mechanism. A built-in hydraulic damper makes the turnstile operation smooth and quiet.

A dedicated "Fire Alarm" control input allows connection of an emergency unlocking device (e.g. fire alarm control panel, emergency button, etc).

The turnstile is provided with relay outputs for optional connection of an intrusion detector and a siren as well as remote light indicators to show if access is refused or granted.

The turnstile can be supplied with anti-panic folding arms to clear the passageway in emergency situations without use of any special keys or tools.

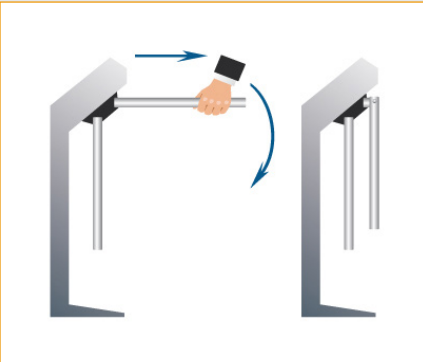
***The turnstile has a three-year warranty from the date of purchase.***

► APPLICATION EXAMPLE

ENTRANCE LOBBY | GYM



► PRODUCT PICTURES

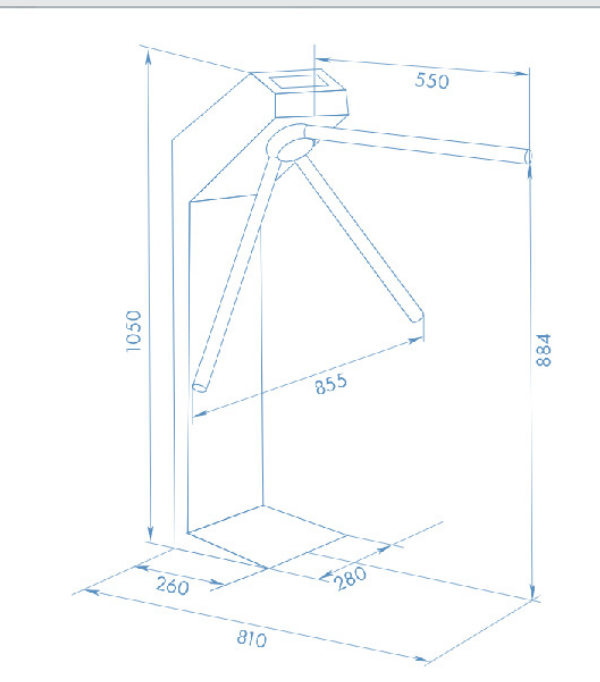


ANTI-PANIC BARRIER



2 PASSAGE WAYS

► DIMENSIONS



## ► CHARACTERISTICS

TECHNICAL DATA	
Operating Voltage	12 V DC
Power Consumption	8.5 W
Consumption Current	0.7 A
Communication Interface	Ethernet
PERFORMANCE CHARACTERISTICS	
Number of passage directions	2
Throughput rate (in single passage mode)	30 persons / minute
Throughput rate (in free passage mode)	60 persons / minute
Mean lifetime	8 years
Mean time to failure	4 000 000 Passages
"Anti-Panic" Function	optional
Warranty time	3 years from the date of sale
PHYSICAL CHARACTERISTICS	
Dimensions	810 × 855 × 1050 mm
Passageway Width	600 mm
Operation temperature	+1 °C up to +50 °C
IP Protection Class	IP41
Housing	Powder coated steel

## ► ORDER CODES

VERSIONS	ORDER CODE
Turnstile TTR-04; Steel sandpaper powder coating; light beige	TTR-04R
Turnstile TTR-04; Steel sandpaper powder coating; grey	TTR-04G
Steel; high quality powder coating plus lacquered finish TTR-04.1E colour: „starlit night“ (glitter black)	TTR-04E
ACCESSORIES	ORDER CODE
Anti-panic folding arms, mechanical; polished stainless steel	TTR-04-AA
Standard barrier arms	TTR-04-AS
Build in iDTRONIC RFID reader	TTR-04-RFID
Optional power supply unit	TTR-04-PS

iDTRONIC GmbH  
Ludwig-Reichling-Straße 4  
67059 Ludwigshafen  
GERMANY

Phone +49 (0) 621 66 90 09 4-0  
Fax +49 (0) 621 66 90 09 4-9  
E-Mail: [info@idtronic-secureaccess.de](mailto:info@idtronic-secureaccess.de)  
Web: [idtronic-secureaccess.de](http://idtronic-secureaccess.de)

For further information & prices, please contact [info@idtronic-secureaccess.de](mailto:info@idtronic-secureaccess.de)

Subject to alteration without prior notice  
©2020 iDTRONIC GmbH